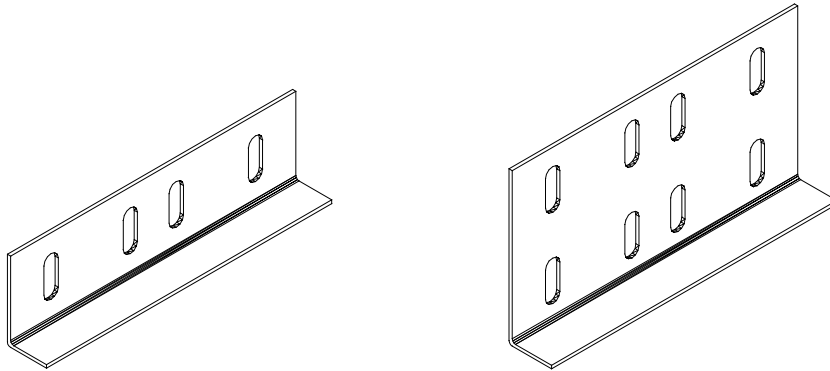
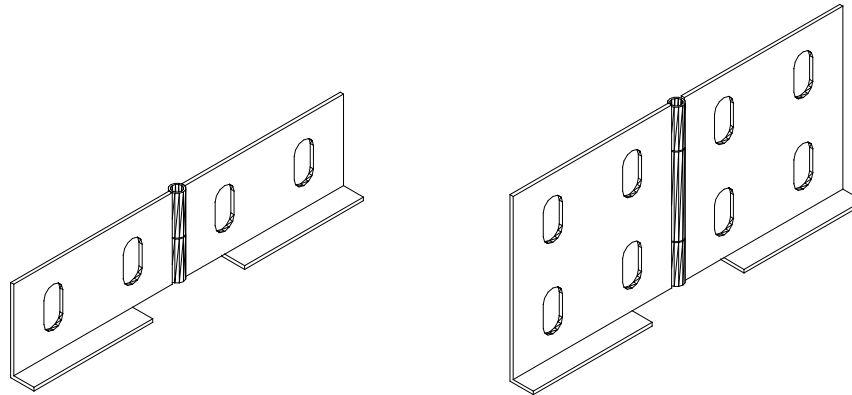




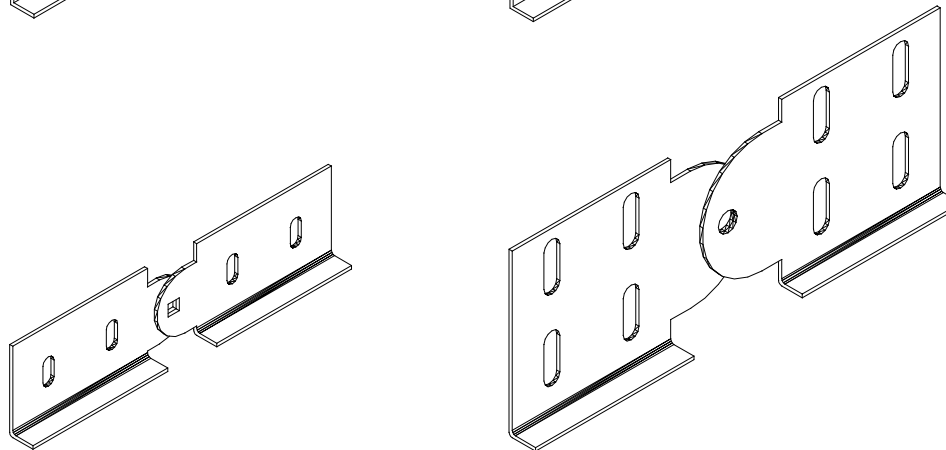
STRAIGHT JOINT (L TYPE)



HORIZONTAL JOINT (H TYPE)



VERTICAL JOINT (V TYPE)

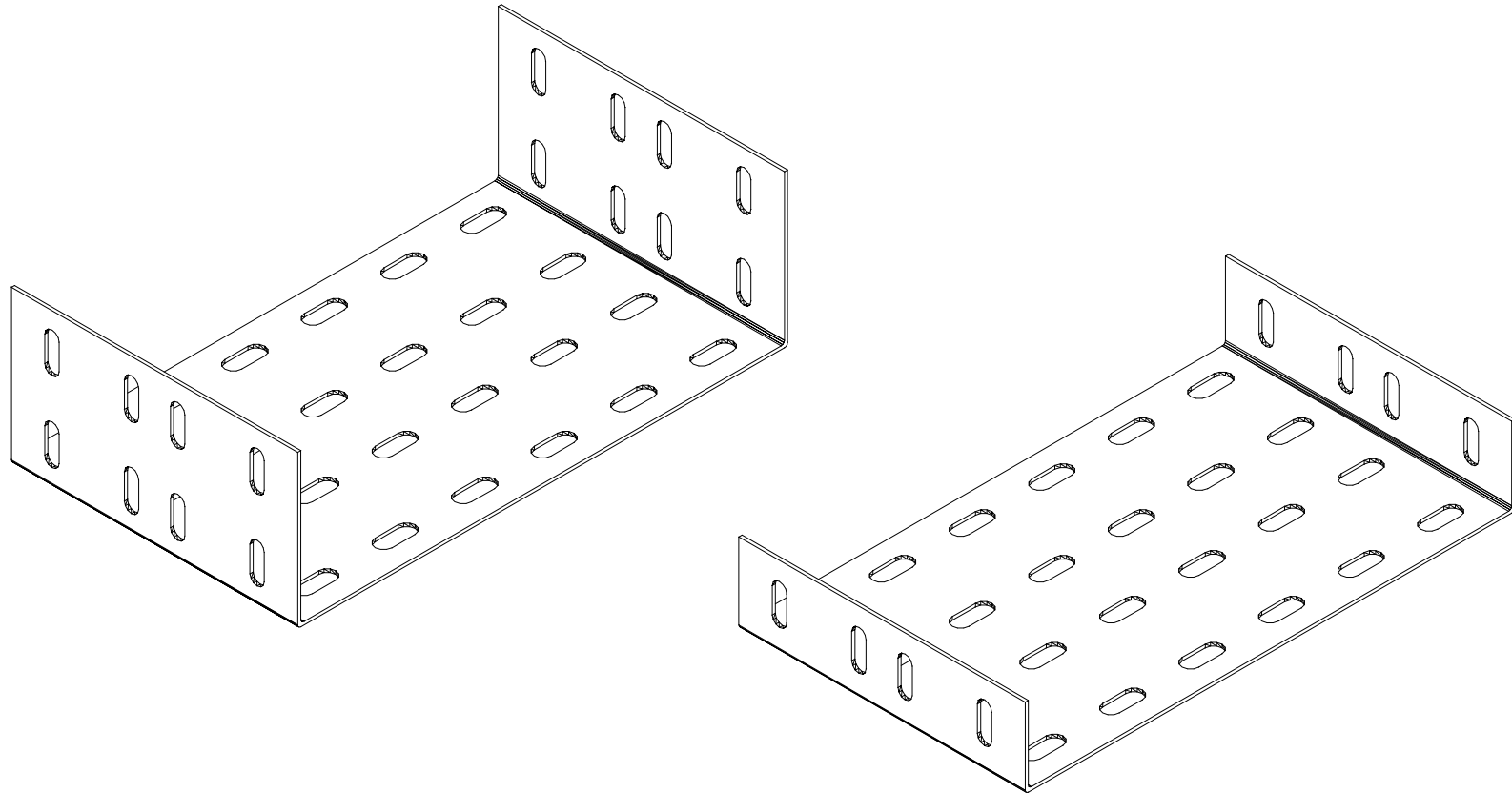


ACCESSORIES

TECHNICAL SPECIFICATIONS ACCORDING TO THE CABLE TRAY/LADDER STRAIGHT



Monavar Gostar Espadana.co

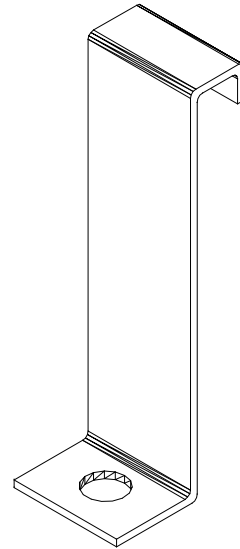


CABLE TRAY JOINT (U TYPE)

TECHNICAL SPECIFICATIONS ACCORDING TO THE CABLE TRAY STRAIGHT



Monavar Gostar Espadana.co

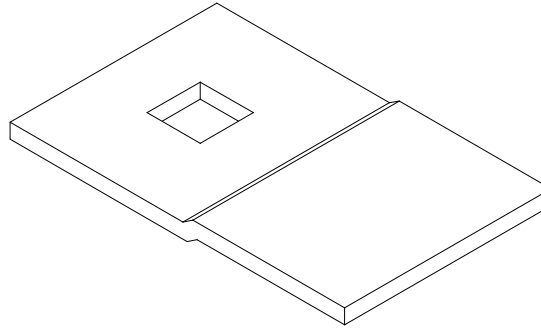


HOLDING CLAMP (FOR TRAY)

TECHNICAL SPECIFICATIONS ACCORDING TO SUPPORTING



Monavar Gostar Espadana.co

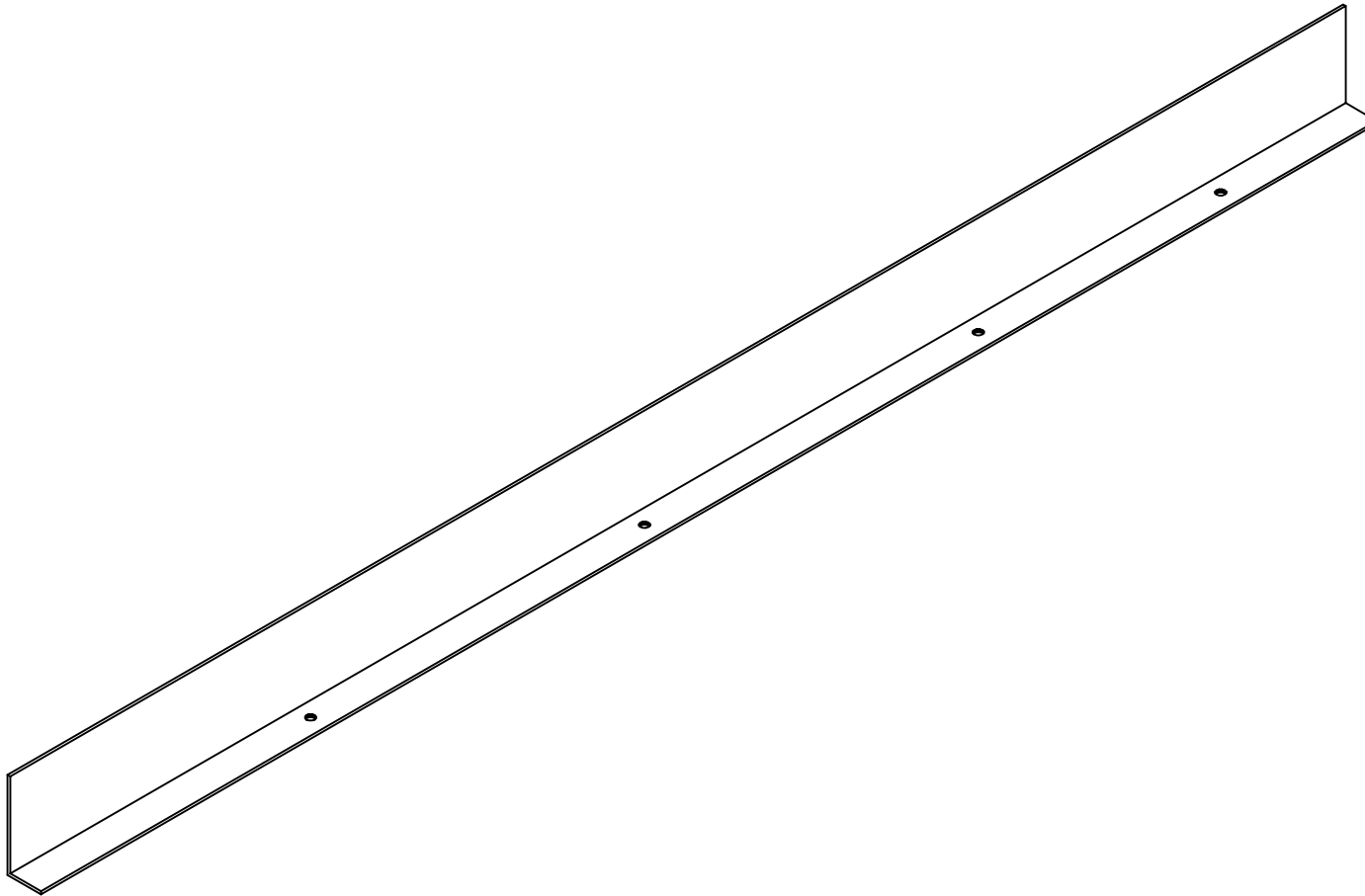


HOLDING CLAMP (FOR LADDER)

TECHNICAL SPECIFICATIONS ACCORDING TO SUPPORTING



Monavar Gostar Espadana.co

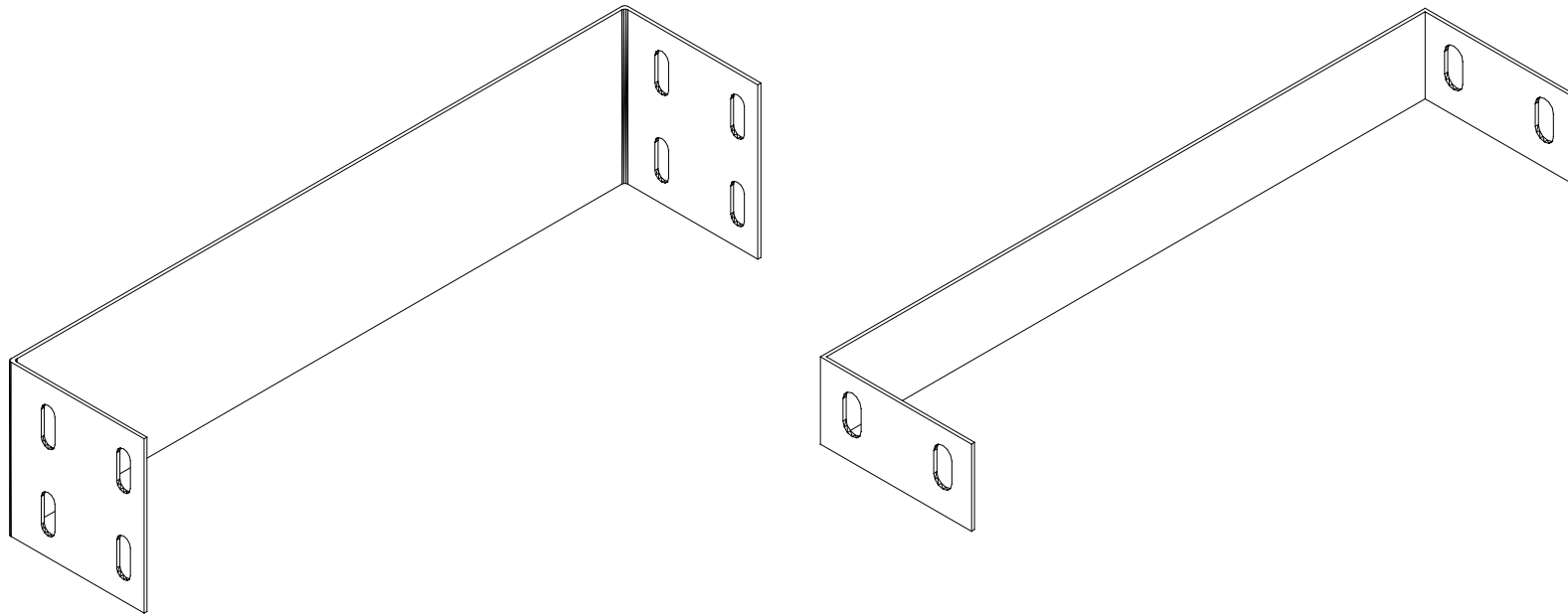


DIVIDER

TECHNICAL SPECIFICATIONS ACCORDING TO CABLE TRAY/LADDER STRIAGHT

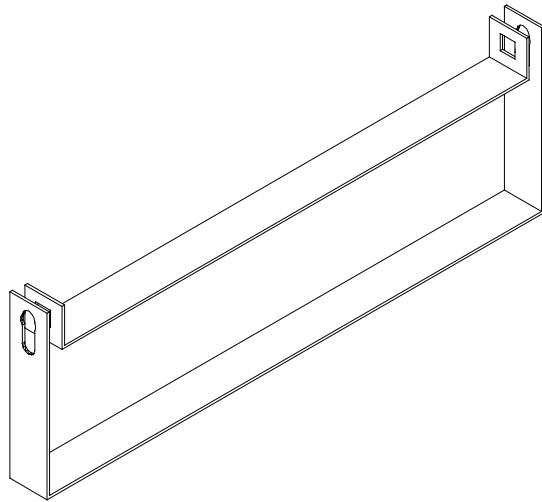


Monavar Gostar Espadana.co

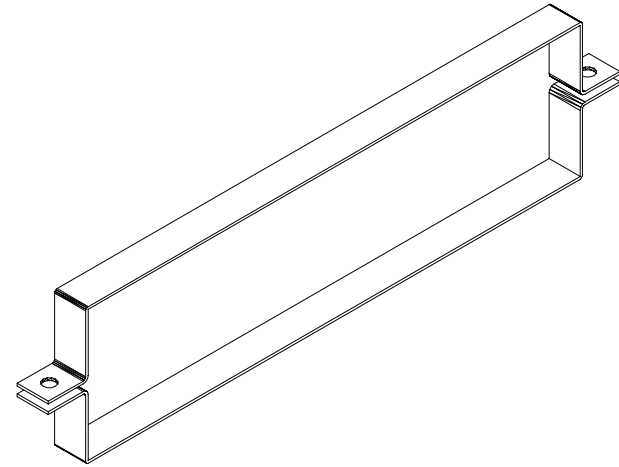


END PLATE

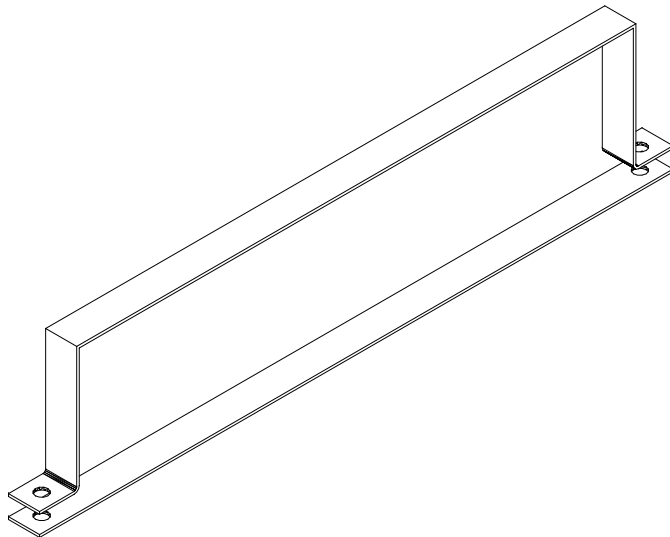
TECHNICAL SPECIFICATIONS ACCORDING TO CABLE TRAY/LADDER STRIAGHT



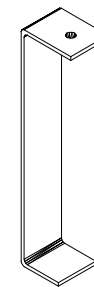
U TYPE



LOOP TYPE



STRIP TYPE



CLIPS TYPE

COVER CLAMP

TECHNICAL SPECIFICATIONS ACCORDING TO CABLE TRAY/LADDER STRIAGHT