



Monavar Gostar Espadana.co



Bending types

- CABLE LADDER STRAIGHT

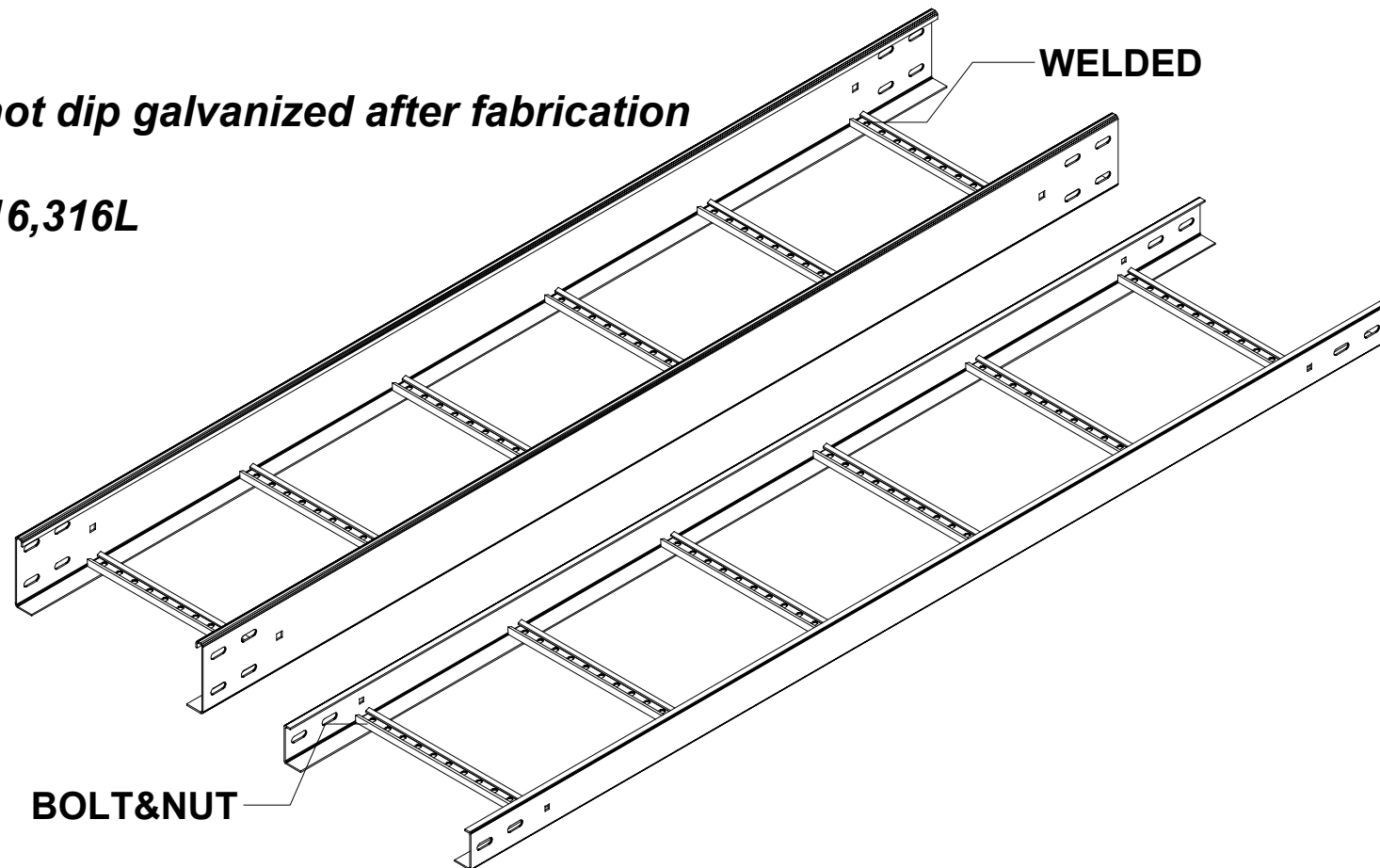
LENGTH : from 1m to 3m

WIDTH : from 50mm to 1000mm

HEIGHT : from 20mm to 200mm

THICKNESS : from 1mm to 3mm

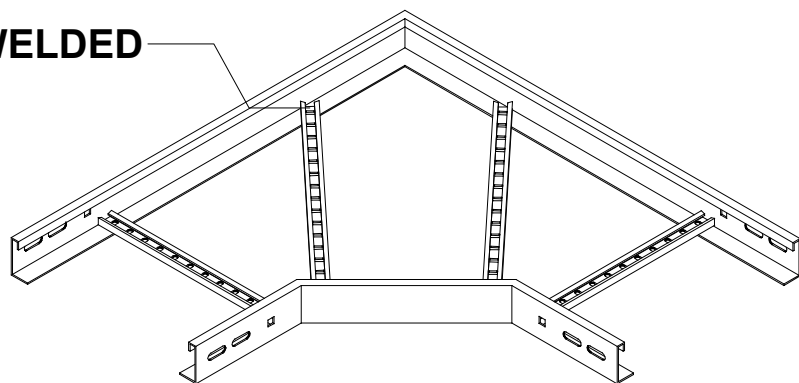
**MATERIAL : Carbon steel ST37-hot dip galvanized after fabrication
fabric galvanized
stainless steel 304,316,316L
Aluminium**



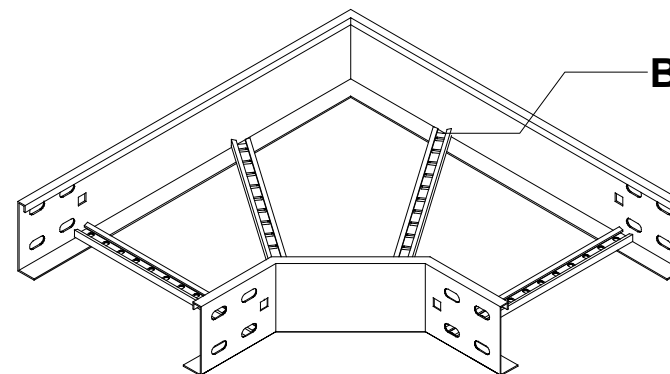


Monavar Gostar Espadana.co

WELDED



BOLT&NUT



CABLE LADDER HORIZONTAL ELBOW 90°

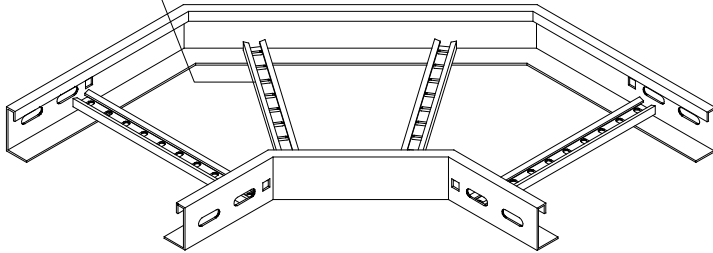
TECHNICAL SPECIFICATIONS ACCORDING TO THE CABLE LADDER STRAIGHT



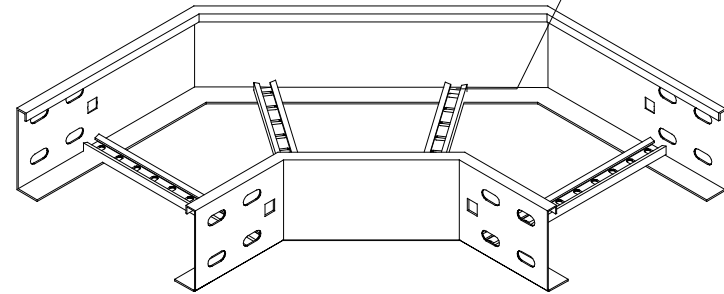
Monavar Gostar Espadana.co



WELDED



BOLT&NUT

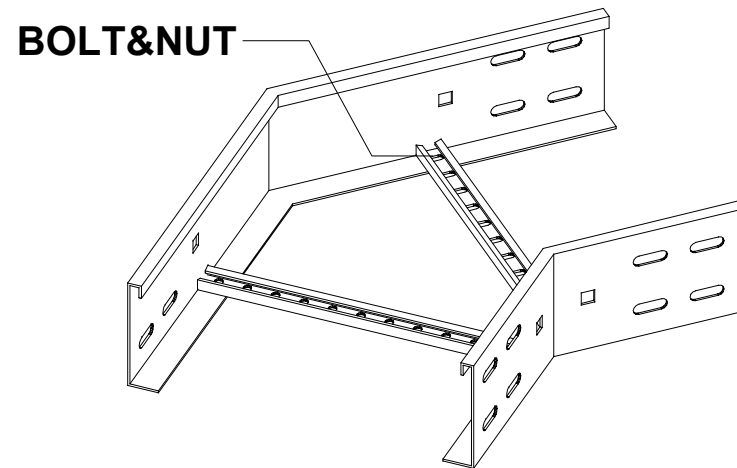
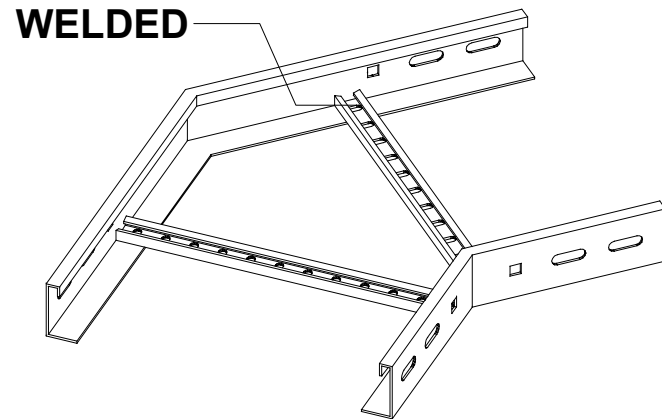


CABLE LADDER HORIZONTAL ELBOW 2*45°

TECHNICAL SPECIFICATIONS ACCORDING TO THE CABLE LADDER STRAIGHT



Monavar Gostar Espadana.co



CABLE LADDER HORIZONTAL ELBOW 30-45-60°

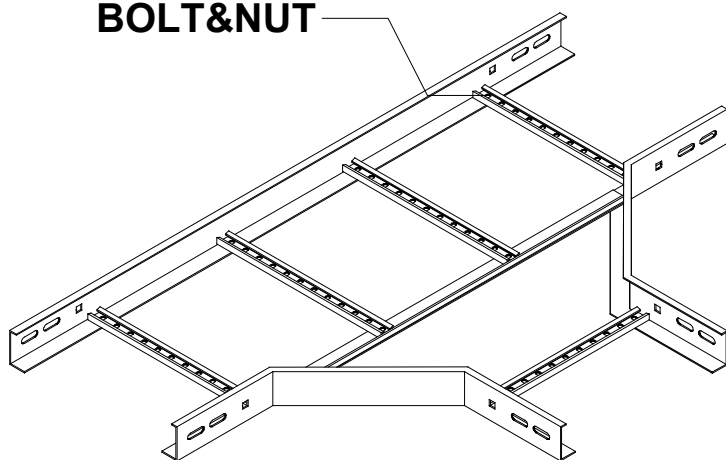
TECHNICAL SPECIFICATIONS ACCORDING TO THE CABLE LADDER STRAIGHT



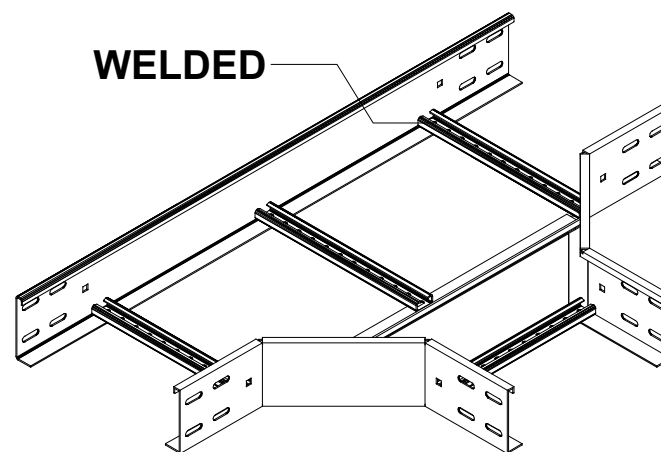
Monavar Gostar Espadana.co



BOLT&NUT



WELDED

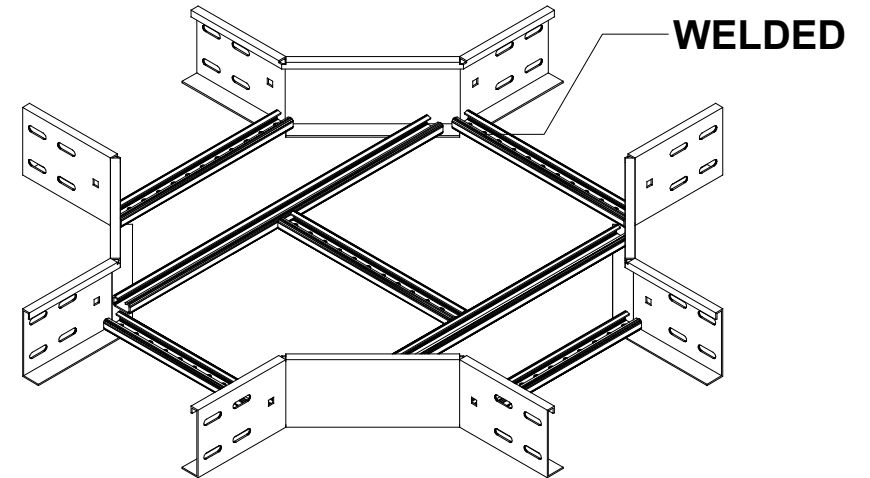
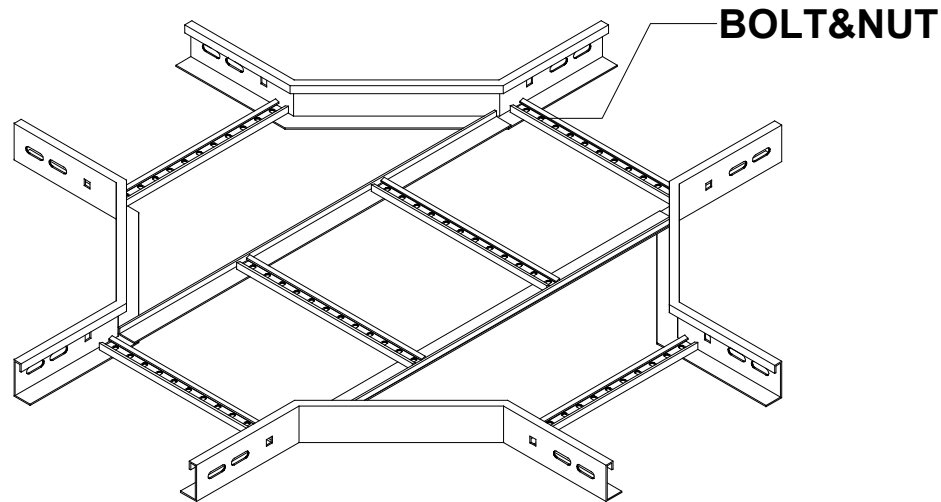


CABLE LADDER HORIZONTAL TEE

TECHNICAL SPECIFICATIONS ACCORDING TO THE CABLE LADDER STRAIGHT

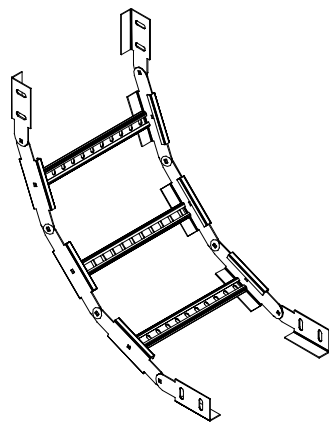
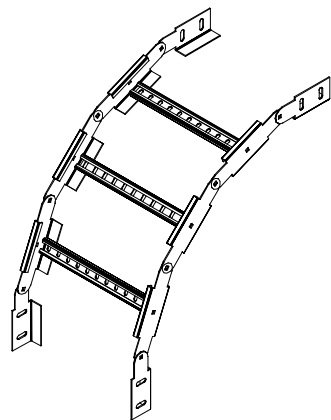


Monavar Gostar Espadana.co

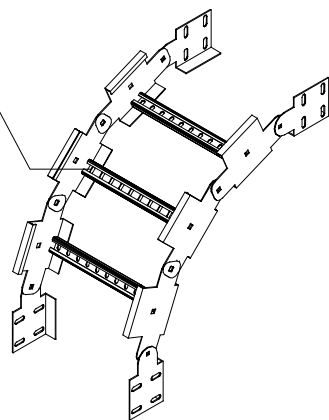


CABLE LADDER HORIZONTAL CROSS

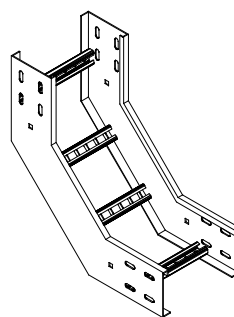
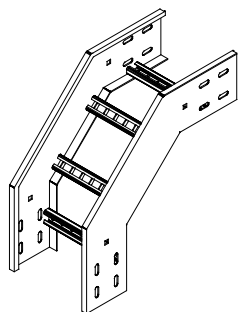
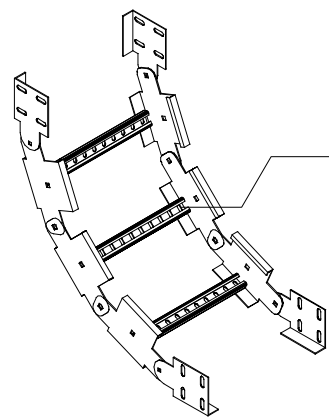
TECHNICAL SPECIFICATIONS ACCORDING TO THE CABLE LADDER STRAIGHT



BOLT&NUT



WELDED



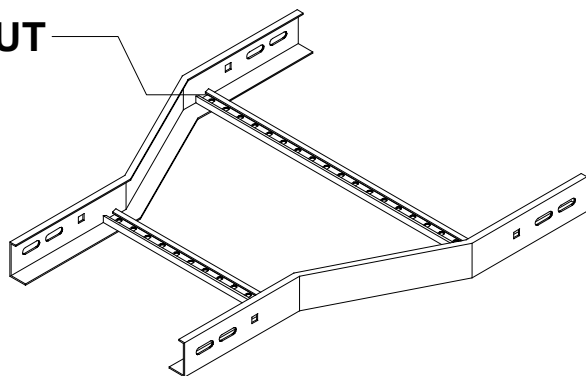
***CABLE LADDER VERTICAL INSIDE/OUTSIDE ELBOW 90°
TECHNICAL SPECIFICATIONS ACCORDING TO THE CABLE LADDER STRAIGHT***



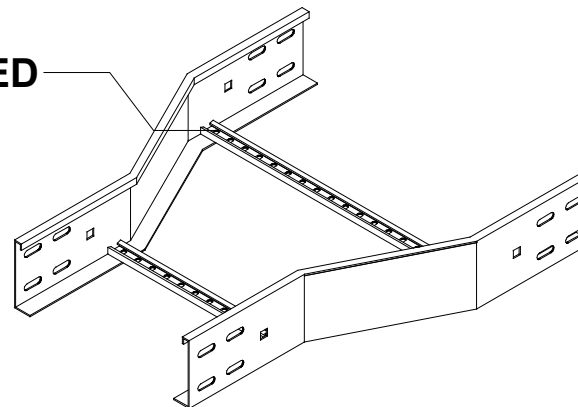
Monavar Gostar Espadana.co



BOLT&NUT



WELDED



CABLE LADDER STRAIGHT REDUCER

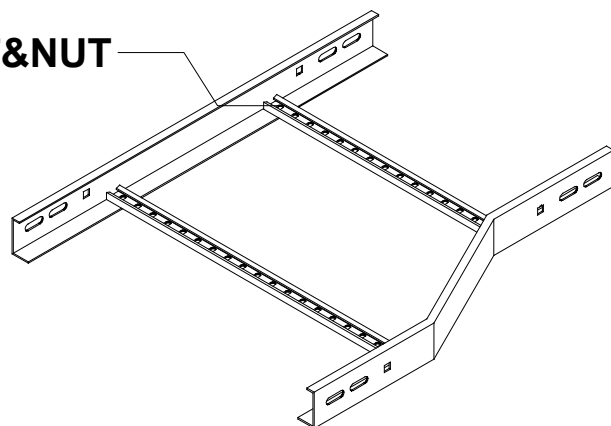
TECHNICAL SPECIFICATIONS ACCORDING TO THE CABLE LADDER STRAIGHT



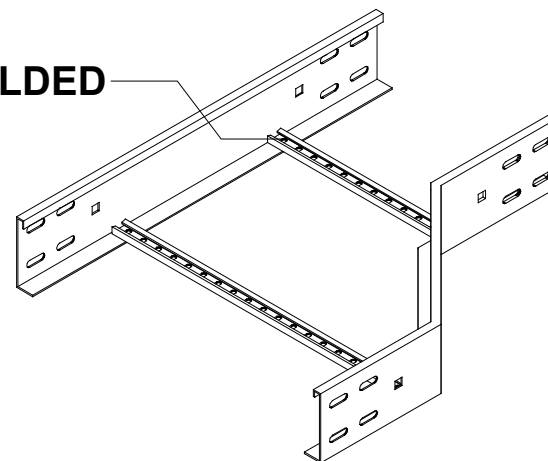
Monavar Gostar Espadana.co



BOLT&NUT



WELDED

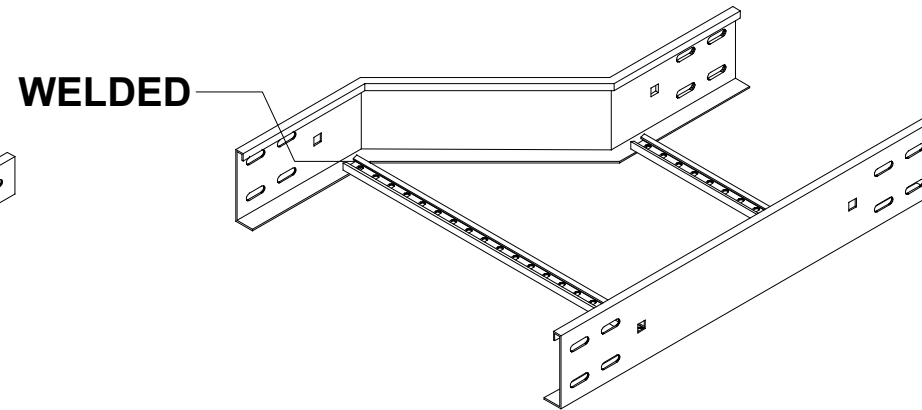
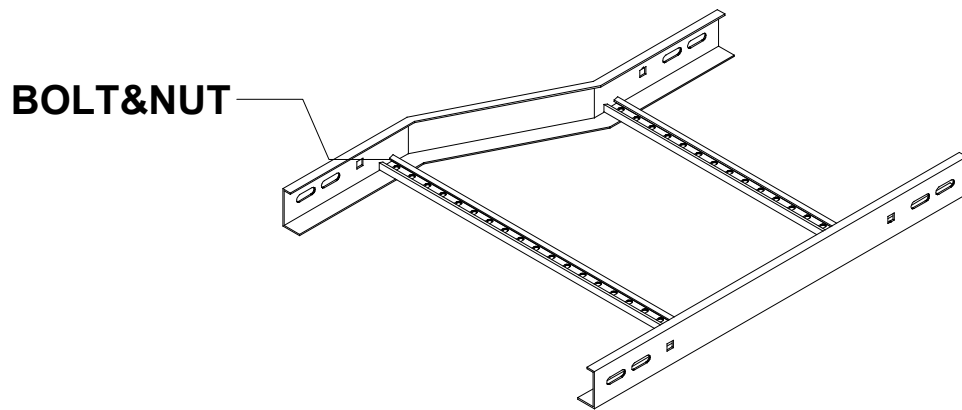


CABLE LADDER HORIZONTAL LEFT HAND REDUCER

TECHNICAL SPECIFICATIONS ACCORDING TO THE CABLE LADDER STRAIGHT



Monavar Gostar Espadana.co



CABLE LADDER RIGHT HAND REDUCER

TECHNICAL SPECIFICATIONS ACCORDING TO THE CABLE LADDER STRAIGHT